

Slim Duct

Ultra-light, adaptable design

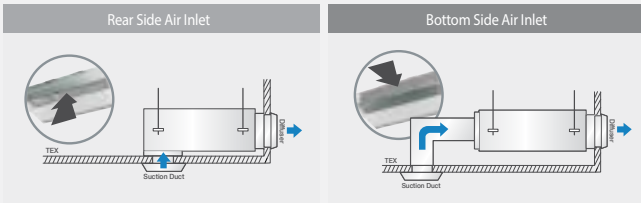


Temper any environment with industry-best lightweight design and optimized airflow

The new Samsung Slim Duct visually blends into the ceiling while providing powerful cool and warm airflow. It's also easy to install and maintain in any interior regardless of the surrounding environment with its compact size and weight—the lightest in the industry.

Flexible setup

The air inlet can be set up either on the bottom or rear of the unit, giving users greater flexibility in installation.



New Line-up (Drain Pump Included)

Drain Pump Included type is benefit of easy installation and saving the labor cost

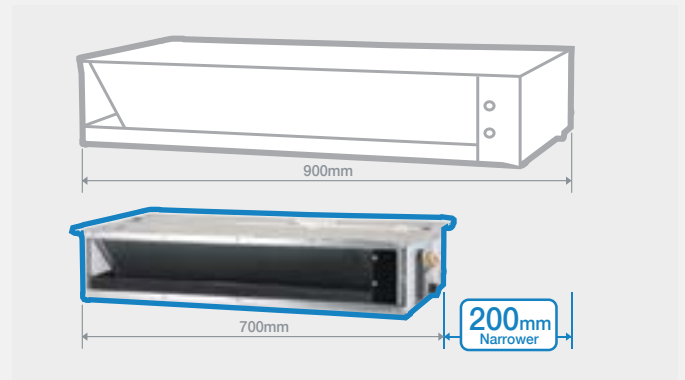


Various installation options

Slim Duct S adopts an ultra-compact, slim size with its thin width, which is 200 mm narrower than conventional products. This slender build enables flexible installation and maintenance in various environments.

World's lightest weight

The efficient Slim Duct S is the lightest duct air conditioning unit on the market. At a weight that's 15 percent lighter than conventional units, Slim Duct S offers the best in convenient installation and maintenance.



Easy access, easy maintenance

Slim Duct features a flexible design that enables users to easily access its parts to maintain the unit.

